



PZW70 Shear Web Compression Load Cell

Features

- Shear web compression type, easy for installation.
- Alloy steel construction, surface nickel plated treatment.
- Capacity: 2t to 300t.
- Sealed by adhesive inside, oil-proof, waterproof and anti-corrosion.
- Suitable for atrocious environment .

Applications

- Electronic truck scales
- Hopper scales
- Automotive testing equipments
- Electronic weighing devices



Specifications

Parameter	Units	Data
capacity	t	2, 3, 5, 10, 25, 40, 50, 100, 200, 300
safe overload	%fs	150(cap.<40t), 120(cap.≥40t)
ultimate overload	%fs	200(cap.<40t), 150(cap.≥40t)
output sensitivity at fs	mV/V	2.0 ±0.05(standard), 4.0 ±0.05
zero unbalance	%fso	≤ ±1
combined error	%fs	≤ ±0.05
creep error (30 min.)	%fs	≤ ±0.05
excitation (supply voltage)	Vdc	10 (typical), 5, ..., 12
max. excitation voltage	Vdc	15
input resistance	Ω	720 ±15
output resistance	Ω	700 ±10
insulation resistance	MΩ	≥ 5000@50 Vdc
storage temp. range	°C	-35 ~ +65
operating temp. range	°C	-35 ~ +65
compensated temp. range	°C	-10 ~ +40
temp. coefficient of sensitivity	%fso/10°C	≤ ±0.03
temp. coefficient of zero	%fso/10°C	≤ ±0.05
load cell body material	/	alloy steel(standard),option: 17-4PH
mechanical interface	/	refer to the dimensions on the datasheets
electrical interface	/	Φ5.7mm, 4-conductor shielded, PVC jacket, length: 8m (13 m for cap. ≥40t)
environment protection	/	IP66(standard), IP67

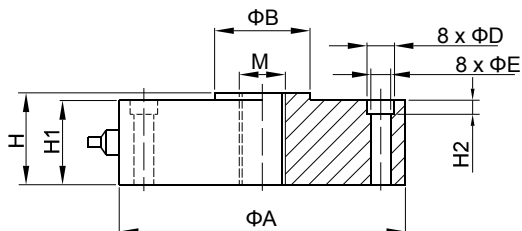
For customized capacity, please consult Proza.

Proza Electronic Technology

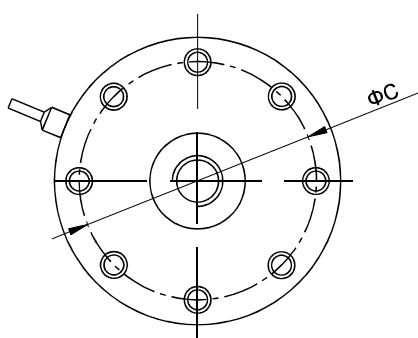


PZW70 Shear Web Compression Load Cell

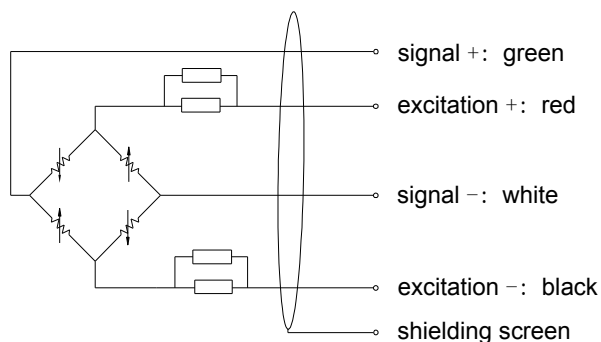
Dimensions



Capacity (t)	ΦA	ΦB	H	H1	H2	ΦC	ΦD	ΦE	M
2, 3, 5	105	34	46	32	9.2	88.9	10.5	7.5	M16 × 1.5
10, 25	122	41	53	47	10.5	101.7	14	9	M32 × 1.5
50	143	51	57.6	51	16	117	17	10.5	M40 × 1.5
100	200	76	83	70	18	162.6	20	13	M64 × 3
200	306	120	125	120	26	264	32	22	M90 × 3
300	350	150	185	180	32	296	38	26	M120 × 3



Electrical connection



Ordering Guide

ordering code:

model-capacity-output sensitivity-accuracy-thread-cable length-(*customized parameter)

example:

PZW70-50t-2mV/V-0.05%fs-M40-13m

Proza Electronic Technology