

PROZA ELECTRONIC TECHNOLOGIES

- OEM pressure sensor, pressure transmitters, melt pressure transmitters
- Intelligent pressure transmitters, differential pressure transmitters
- Hydraulic level transmitters
- Temperature sensors
- Load cells, load pins, force transducers
- Metal foil strain gauges, semiconductor strain gauges



PROZA Model PZL820 Capacitive Liquid-level Transmitter

Description:

PROZA capacitive liquid level transmitter is specially designed for measuring the oil level of railway locomotive, automobile oil tank, tank truck and oil depot. PZL820 has no movable or elastic components, which makes it with the strong impact resistance, easy installation, high reliability, and high precision as well as good performance price ratio. PZL820 is special tool for the accurate level measurement of non-conductive liquid, such as gasoline, diesel, hydraulic oil etc.



Working principle

The measuring part of capacitive liquid-level transmitter is a coaxial container. When oil enters into the container, the capacitive value between the transmitter's housing and the sensing electrode will be changed. This change will be converted to 4~20mA output signal through an amplify circuit, while the 4~20mA out signal will be shown the display meter.

Features:

1. Precise linearity and temperature compensation
2. Adjustable damp output time
3. Strong interference resistance and shock resistance
4. Anti surge over-current and electrode inverse protection design
5. Applicable for various non-conductive liquid

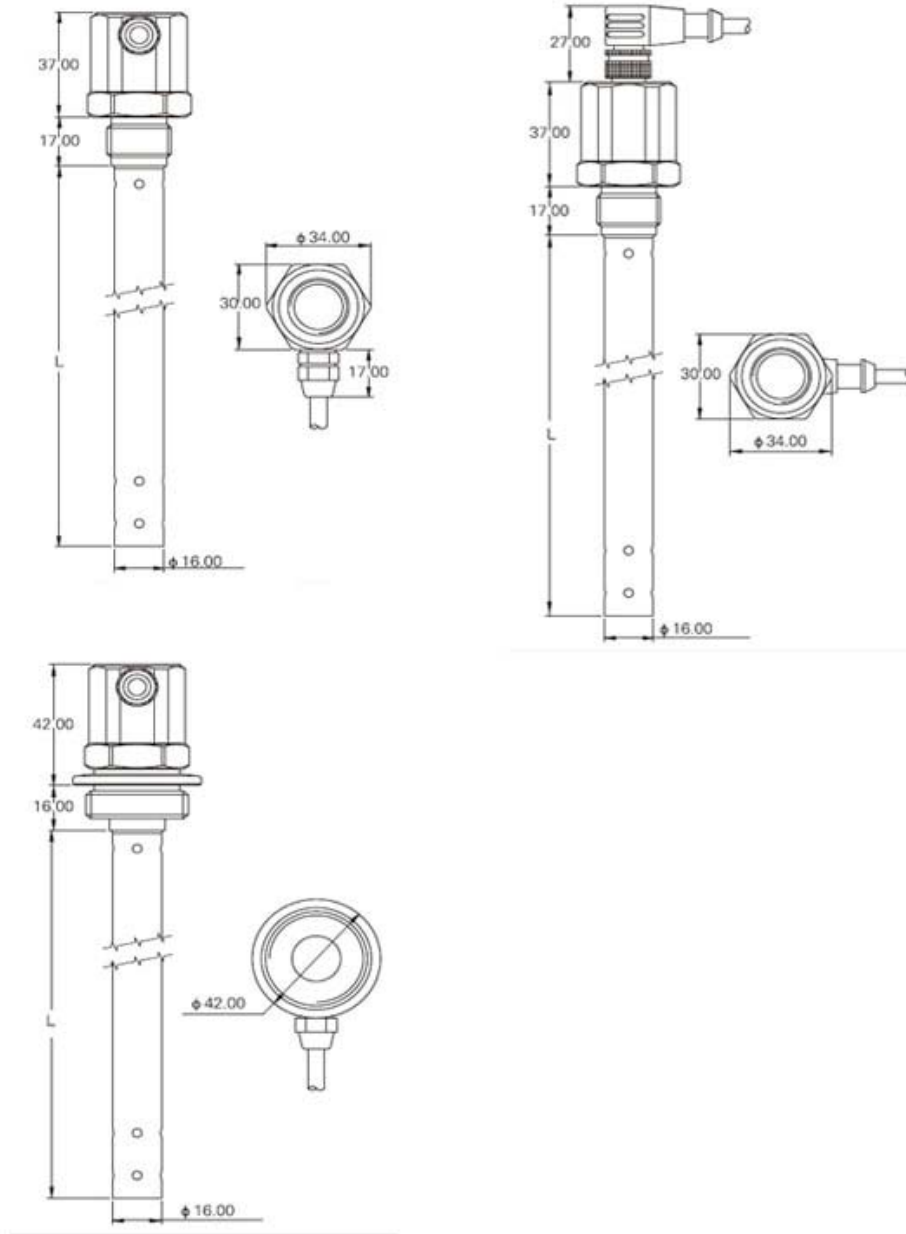
XI'AN PROZA ELECTRONIC TECHNOLOGY CO., LTD.

PROZA ELECTRONIC TECHNOLOGIES

- OEM pressure sensor, pressure transmitters, melt pressure transmitters
- Intelligent pressure transmitters, differential pressure transmitters
- Hydraulic level transmitters
- Temperature sensors
- Load cells, load pins, force transducers
- Metal foil strain gauges, semiconductor strain gauges



Dimensions:



XI'AN PROZA ELECTRONIC TECHNOLOGY CO., LTD.

QiHangJiaYuan Plaza, Block A, 12# Building, Room 704,
FengDong New Town, Xi'an 710086, China.

Tel.: +86.29.8911 7729
Fax: +86.29.8911 7729

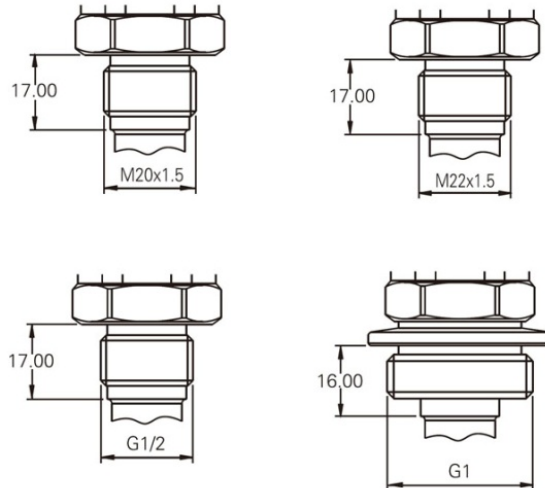
website: www.prozasensor.com
email: sales@prozasensor.com

PROZA ELECTRONIC TECHNOLOGIES

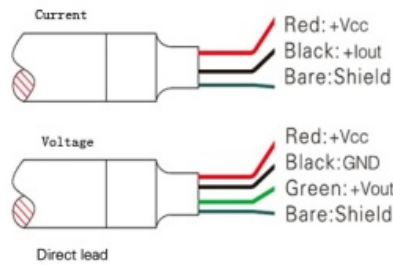


- OEM pressure sensor, pressure transmitters, melt pressure transmitters
- Intelligent pressure transmitters, differential pressure transmitters
- Hydraulic level transmitters
- Temperature sensors
- Load cells, load pins, force transducers
- Metal foil strain gauges, semiconductor strain gauges

Mechanical interface:



Electrical interface:



4-20mA	1	+Vcc	Red/Brown
	3	+Iout	Black/Blue
0.5-4.5VDC 0-5VDC 0-10VDC	1	+Vcc	Red/Brown
	2	+Vout	Green/White
	3	GND	Black/Blue

M12 connector

XI'AN PROZA ELECTRONIC TECHNOLOGY CO., LTD.

QiHangJiaYuan Plaza, Block A, 12# Building, Room 704,
FengDong New Town, Xi'an 710086, China.

Tel.: +86.29.8911 7729
Fax: +86.29.8911 7729

website: www.prozasensor.com
email: sales@prozasensor.com

PROZA ELECTRONIC TECHNOLOGIES

- OEM pressure sensor, pressure transmitters, melt pressure transmitters
- Intelligent pressure transmitters, differential pressure transmitters
- Hydraulic level transmitters
- Temperature sensors
- Load cells, load pins, force transducers
- Metal foil strain gauges, semiconductor strain gauges



Specifications:

Measuring media	/	non-conductive liquid which is compatible with 316LSS
Measuring ranges	mm	200, 300, 500, 700, 1000, 1500
Output signal	Analog	4~20mA ; 0~5VDC, 0~10VDC
	Digital	RS232/485, MODBUS, PROFIBUS, CANBUS
Accuracy	%fs	±0.3; ±0.5; ±1
Long-term stability	%fso/year	±0.1
Supply voltage	Vdc	9~30VDC; 15~30VDC
Zero Drift	FS/°C	±0.05
Thermal Sensitivity Shift	FS/°C	±0.05
Electrical interface	/	PVC cable
Pressure membrane material	/	316L SS
Environment protection	IP rating	IP 65

XI'AN PROZA ELECTRONIC TECHNOLOGY CO., LTD.

QiHangJiaYuan Plaza, Block A, 12# Building, Room 704,
FengDong New Town, Xi'an 710086, China.

Tel.: +86.29.8911 7729
Fax: +86.29.8911 7729

website: www.prozasensor.com
email: sales@prozasensor.com