

PROZA ELECTRONIC TECHNOLOGIES

- OEM pressure sensor, pressure transmitters, melt pressure transmitters
- Intelligent pressure transmitters, differential pressure transmitters
- Hydraulic level transmitters
- Temperature sensors
- Load cells, load pins, force transducers
- Metal foil strain gauges, semiconductor strain gauges



PZL860 Mini Float Level Switch

Main Specifications:

Contact capacity: 70W / SPST

Voltage: 240VAC / 200VDC

Switching current: 1A

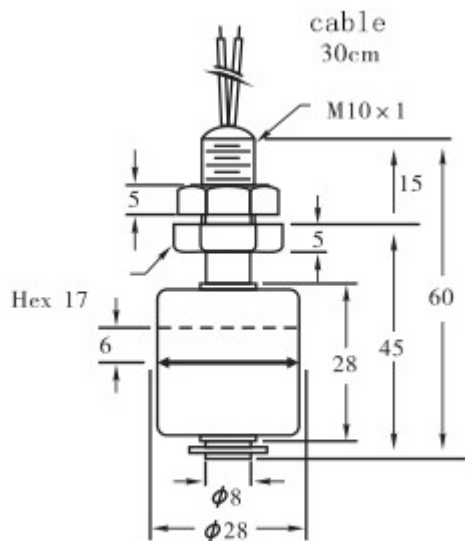
Max operating pressure: 15bar

Operating temperature range: -10 ~ 120 °C (or 200 °C)

Material: SUS304 / 316

Suitable for the liquid density not less than 0.75g/cm³

Dimensions: (Vertical Installation)



XI'AN PROZA ELECTRONIC TECHNOLOGY CO., LTD.

QiHangJiaYuan Plaza, Block A, 12# Building, Room 704,
FengDong New Town, Xi'an 710086, China.

Tel.: +86.29.8911 7729
Fax: +86.29.8911 7729

website: www.prozasensor.com
email: sales@prozasensor.com